



Catalog Number	
Project	Type

Single and Dual LED Bollards



FEATURES & SPECIFICATIONS

APPLICATION – The Ranger Bollard Series was built to be both decorative and functional. They can be used to light pathways and walkways to help direct pedestrian traffic. They can add value to the aesthetics of a building or structure.

CONSTRUCTION – The fixture is constructed of durable heavy duty aluminum body and heavy gauge steel base (Galvanization as an option on base). Standing at a height of either 36" or 42".

FINISH – Our state-of-the-art paint facility applies a Super Durable Polyester powder coat finish electrostatically. Standard color options include Black, Bronze, AA, White. Custom colors available upon request.

OPTICAL SYSTEM – The luminaire utilizes high-performance refractive optics made from state-of-the-art UV-stabilized acrylic materials to achieve precise photometric distributions and high transmittance. The bollard is Star Light Friendly (meets or exceeds Dark Sky requirements) and is a Full Cutoff Luminaire in optics T3 and T5W only.

ELECTRICAL SYSTEM – The bollard is available with up to 4,000L LED lumens in 5000K Cool White (+/- 300K). The LED's are rated for over 50,000 hours at 25°C ambient temperature. It is compatible with a 120~277V 50/60 Hz power supply and 0-10V dimming. It has built-in surge protection up to 10 kV and a built-in Active PFC Function LED driver that conforms to UL8750 standards.

MOUNTING – The bollard comes standard with two (2) 1/2" x 18" x 3" anchor bolts, a rigid anchor bolt template, and a steel base. It also features a centrally located wire entrance and flush mounting screws to attach the housing to the base plate.

ORDERING INFORMATION

Choose the bold face options for the appropriate luminaire configuration for your application and enter on the line above each fixture attribute. Accessories may be factory installed, depending on the particular accessory chosen, but still be ordered as a separate line item.

EXAMPLE:

RNGR 30 DUAL 50 T5W 1 42 BK

RNGR							
SERIES	WATTS	# OF HEADS	COLOR TEMP	OPTIC	VOLTAGE	HEIGHT	FINISH
RNGR	15	Single = (15W or 25W)	50 = 5000K Cool White	T3 = Type III T5W = Type V Wide	1 = Multi-Volt ¹	36 = 36"	BK = Black BZ = Bronze AA = Anodized Aluminum WH = White SP = Special
	25					42 = 42"	
	30	Dual = (30W or 50W)					
	50						

OPTIONS (order as separate line items)

GALV Galvanized Steel Anchor Base
DLP Dimming Leads Pulled

NOTES

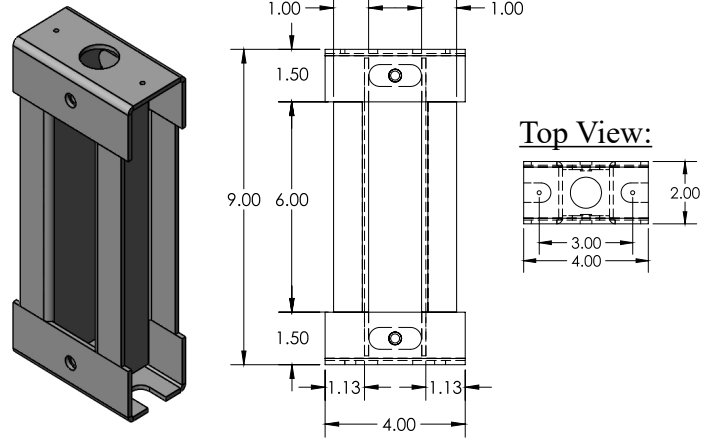
¹ = Multi-Volt is an auto ranging power supply from 100V to 300V input.



LUMEN CHARACTERISTICS

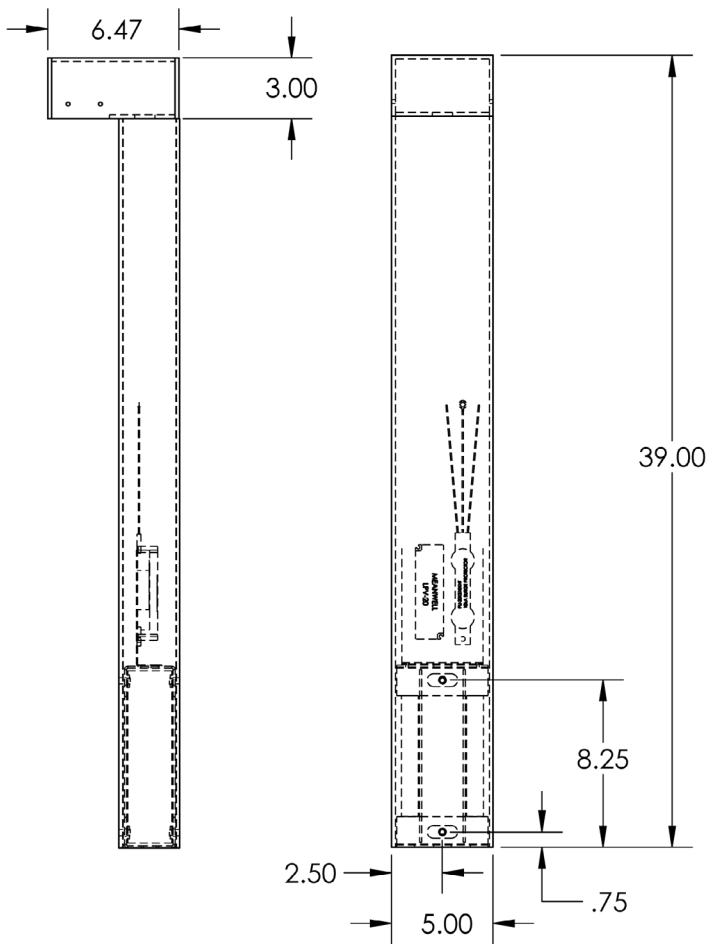
	T3	T5W
15W Single	1347 Lm	1247 Lm
	15W 90 Lm/W	15W 83 Lm/W
	B0-U0-G1	B1-U0-G1
25W Single	1919 Lm	1776 Lm
	25W 77 Lm/W	25W 71 Lm/W
	B0-U0-G1	B1-U0-G1
30W Dual	2705 Lm	2543 Lm
	30W 90 Lm/W	30W 85 Lm/W
	B1-U0-G1	B2-U0-G2
50W Dual	3854 Lm	3623 Lm
	50W 71 Lm/W	50W 73 Lm/W
	B2-U0-G2	B2-U0-G2

FABRICATED STEEL ANCHOR BASE and DIMENSIONS

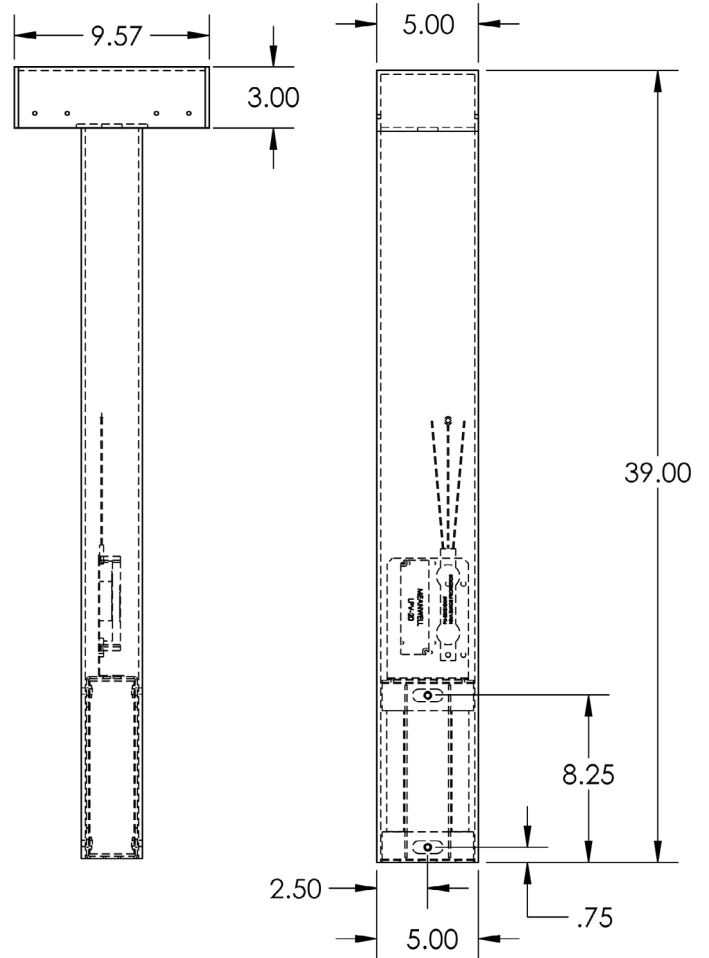


BOLLARD DIMENSIONS

Single Head



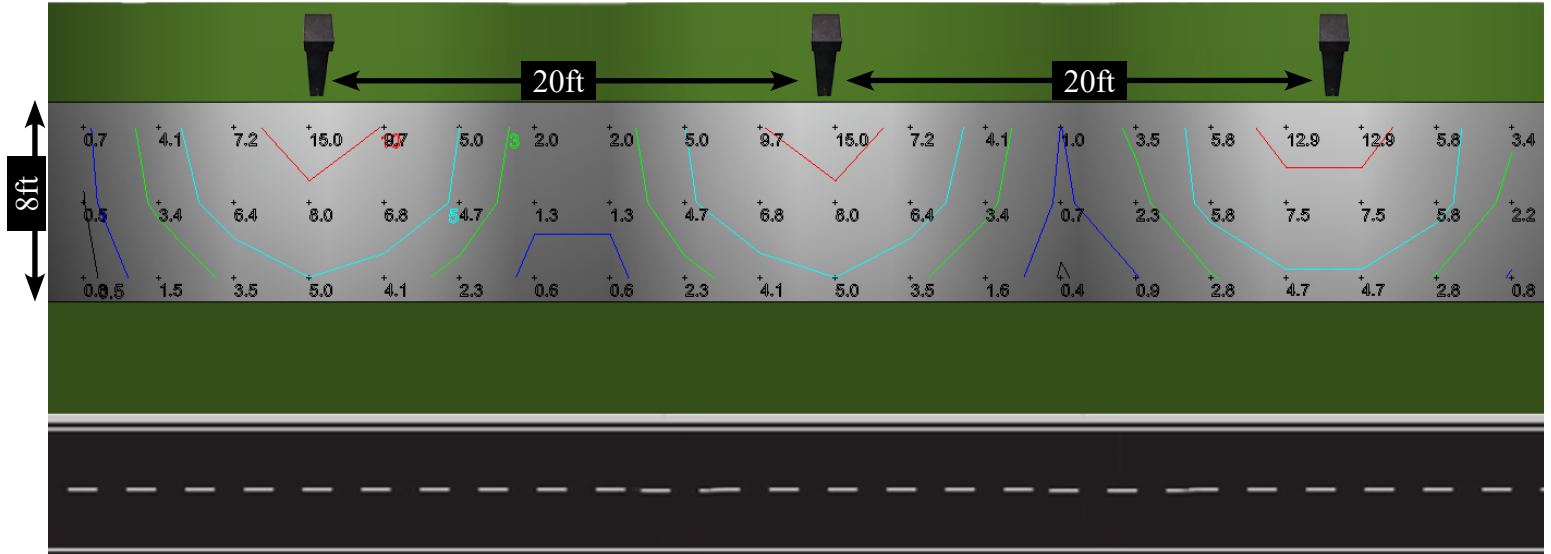
Dual Head



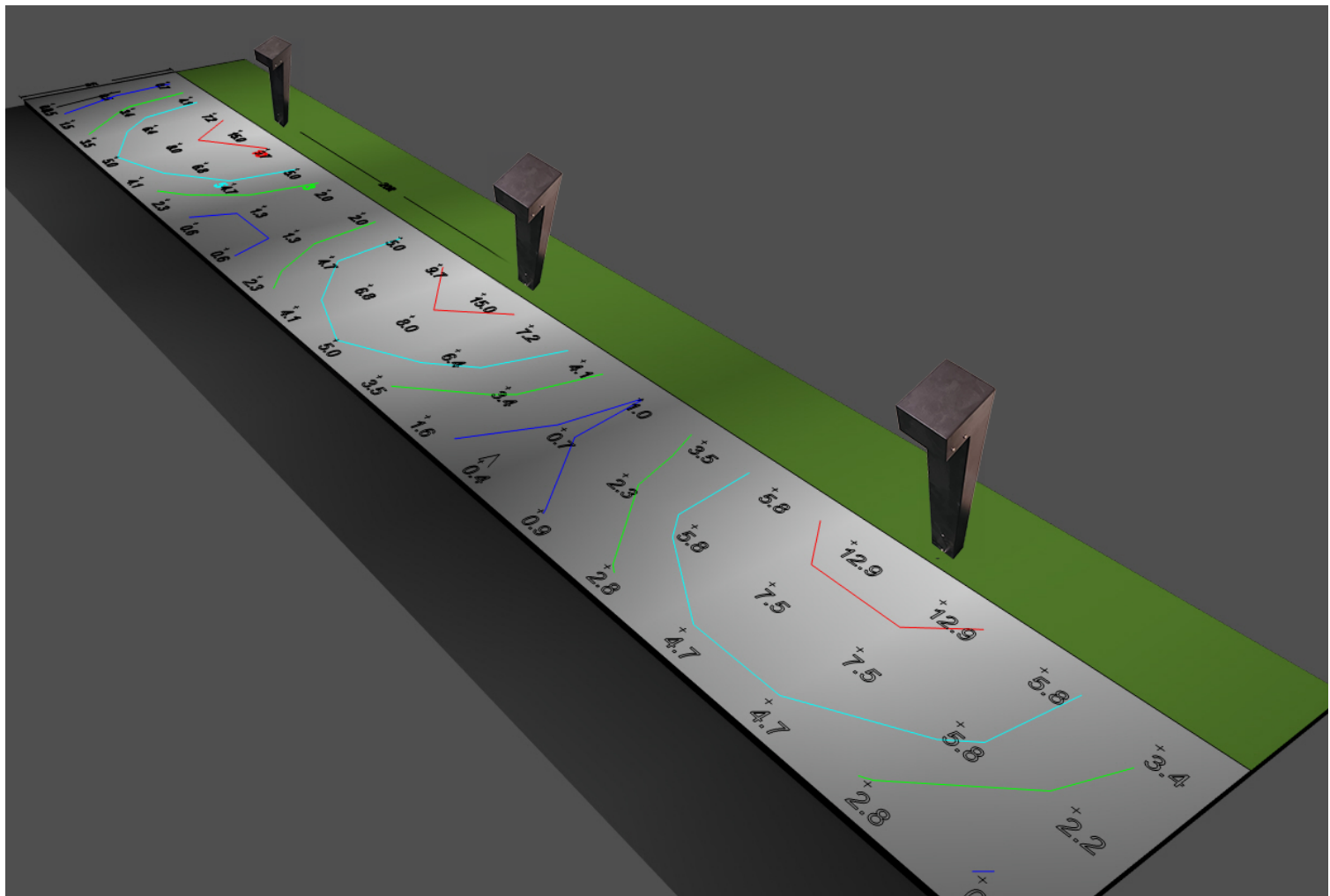
TECHLIGHT
INNOVATION IN ILLUMINATION

RNGR Single and Dual LED Bollards

PHOTOMETRY - (RNGR 15W SINGLE 50K T5W 42" BK)



Single head - 15 Watt - bollards shown in illustrations.



TECHLIGHT
INNOVATION IN ILLUMINATION

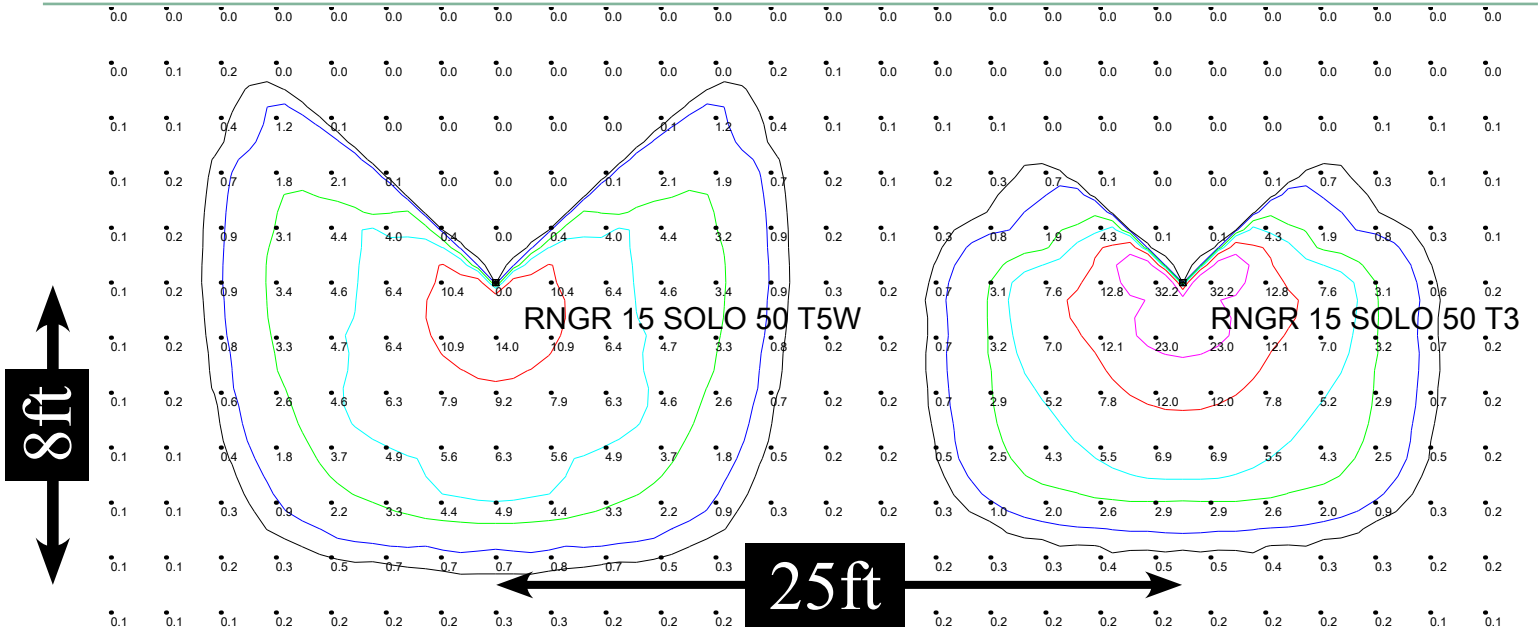
2707 SATSUMA | DR. DALLAS, TX 75229 | PH: 800.225.0727 | FX: 214.350.0591 | www.techlight.com

All dimensions and specifications are subject to change without notice.

REV: 20240105-03

RNGR Single and Dual LED Bollards

PHOTOMETRY CONTINUED - (RNGR 15W SINGLE 50K T5W & T3)



TECHLIGHT
INNOVATION IN ILLUMINATION

2707 SATSUMA | DR. DALLAS, TX 75229 | PH: 800.225.0727 | FX: 214.350.0591 | www.techlight.com

All dimensions and specifications are subject to change without notice.

REV: 20240105-03