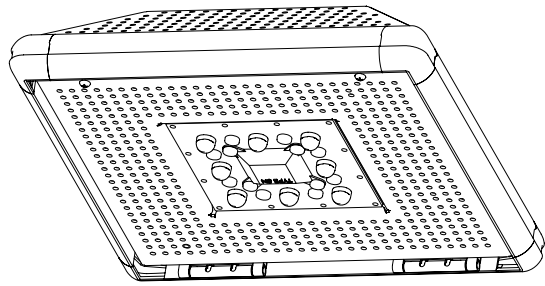


LPG Parking Garage Luminaire

Models: LPG Surface Mount, LPG Pendant Mount



INSTALLATION INSTRUCTIONS

IMPORTANT: Read before installing fixture.

WARNING:

- Always install fixtures according to National Electrical Code (NEC) and local codes. Failure to do so will void the warranty and could cause damage to the fixture or may result in personal injury.
- To reduce the risk of personal injury or property damage from fire, electric shock, falling parts, cuts/abrasions, and other hazards read all warnings and instructions included with and on the fixture and all fixture labels.
- Commercial installation, service and maintenance of luminaires should be performed by a qualified licensed electrician. For the installation: if you are unsure about the installation or maintenance of the luminaires, consult a qualified licensed electrician and check your local electrical code.
- Turn off electrical power at fuse or circuit breaker before wiring fixture to the power supply.
- Turn off the power when you perform any maintenance.
- All connections should be capped with UL approved wire connectors. Risk of Burn. Disconnect power and allow fixture to cool before handling.
- Verify that supply voltage is correct by comparing it with the luminaire label information.

NOTICE:

- LEDs are high-quality electrical components. Avoid opening lighting fixture and do not touch LED module.

WARNING - RISK OF ELECTRIC SHOCK

- Disconnect/turn off power before installation or servicing.
- Make sure the supply voltage is the same as the rated luminaire voltage
- Make all electrical and grounded connections in accordance with the National Electrical Code (NEC) and any applicable local code requirements.
- All wiring connections should be capped with UL approved recognized wire connectors.

WARNING - RISK OF BURN

- Allow fixture to cool before handling. Do not touch enclosure or light source.
- Do not exceed maximum wattage marked on luminaire label.
- Follow all manufacturer's warnings, recommendations and restrictions for: driver type, burning position, mounting locations/methods, replacement and recycling.

CAUTION - RISK OF INJURY

- Wear gloves and safety glasses at all times when removing luminaire from carton, installing, servicing or performing maintenance.
- Avoid direct eye exposure to the light source while it is on.

CAUTION - RISK OF FIRE

- Keep combustible and other materials that can burn, away from lamp/lens.
- Do not operate in close proximity to persons, combustible materials or substances affected by heat or drying.

LPG Parking Garage Luminaire

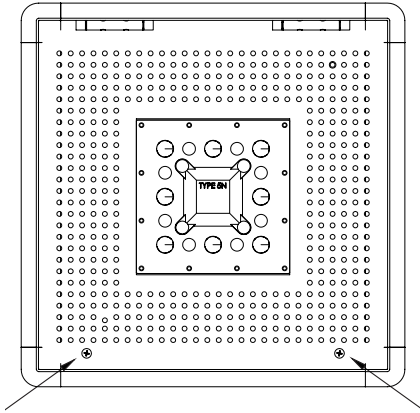
Models: LPG Surface Mount, LPG Pendant Mount



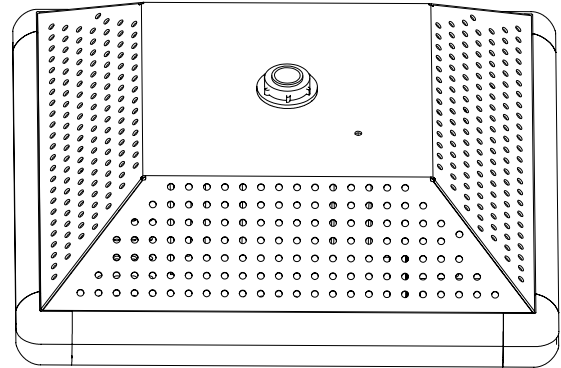
PENDANT MOUNT INSTALLATION:

TURN OFF POWER FROM MAIN CIRCUIT BREAKER

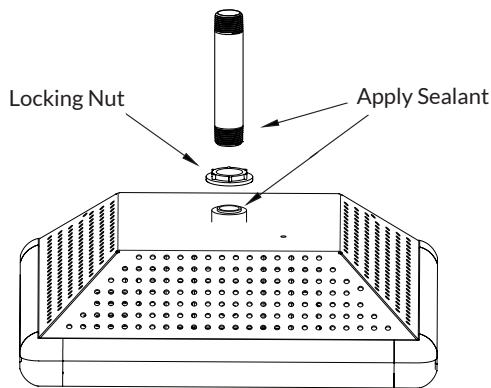
1. Opening the fixture should be avoided. If access is necessary, unscrew the two 10-24x1-1/4 Phillips screws securing the doorframe.



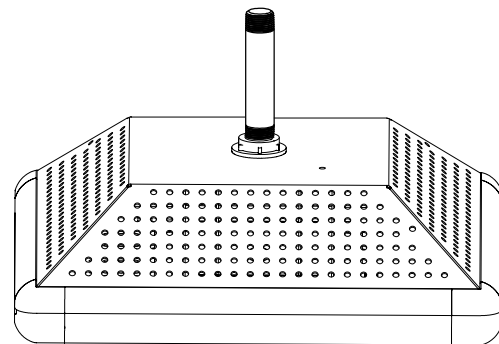
2. Fixture is supplied with a 36" 18/5 whip fed through the 1/2" pipe hub for quick installation.



3. Feed whip through 1/2" pipe stem (Supplied by others). Thread locking nut onto end of pipe. Apply thread sealant around the external threads of the conduit, and the internal threads of the housing.



4. Screw pipe stem onto the pipe hub. Be careful not to twist whip while doing so. Make sure luminaire is oriented correctly. Use locking nut (supplied) with thread sealant (supplied by others) to lock the pipe stem into the hub.



LPG Parking Garage Luminaire

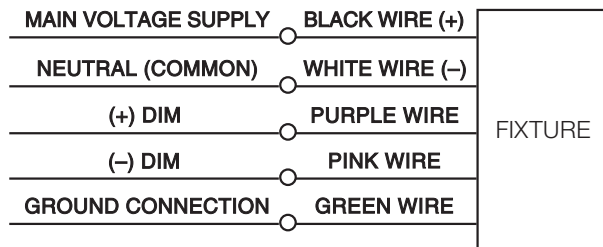
Models: LPG Surface Mount, LPG Pendant Mount



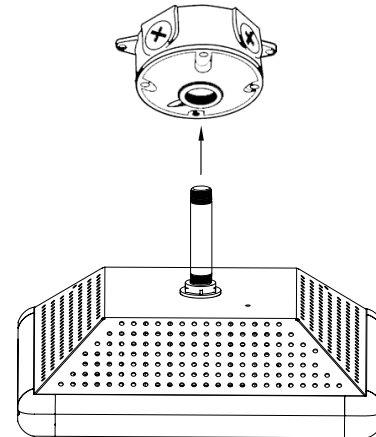
PENDANT MOUNT INSTALLATION (cont.):

5. Make supply and ground connections according to wiring diagram using wire nuts (supplied by others). Tuck wire nut connections into junction box.

WIRING DIAGRAM



6. Mount stem to junction box that is suitable for wet locations (supplied by others).



LPG Parking Garage Luminaire

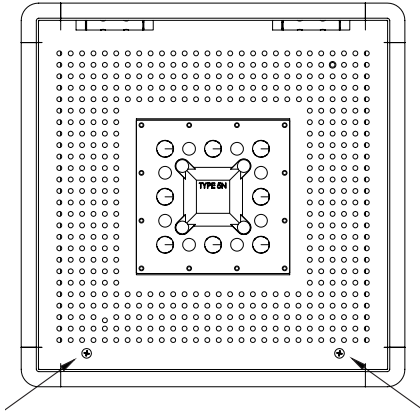
Models: LPG Surface Mount, LPG Pendant Mount



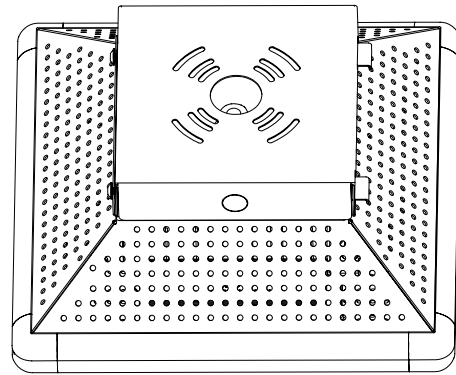
SURFACE MOUNT INSTALLATION:

TURN OFF POWER FROM MAIN CIRCUIT BREAKER

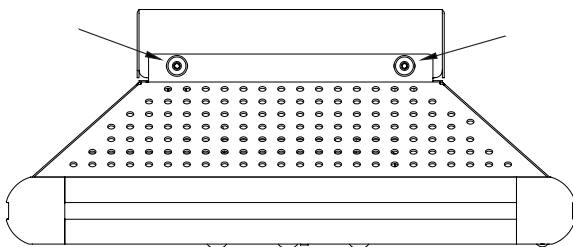
1. Opening the fixture should be avoided. If access is necessary, unscrew the two 10-24x1-1/4 Phillips screws securing the doorframe.



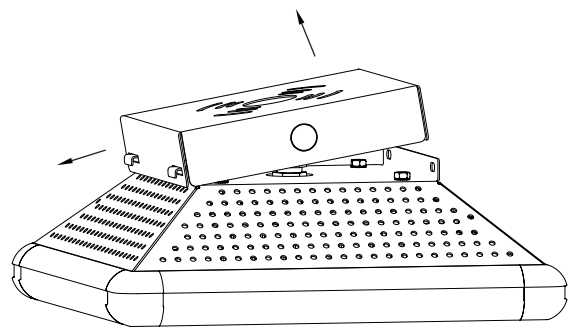
2. Fixture is supplied with pre-installed surface mounting box featuring universal junction box mounting slots. A 3/6" 18/5 whip fed through the access hole.



3. Remove the (2) M6x12mm T30 Torx screws on the surface mount box.



4. Lift surface mount box top up, and slide it over the bottom plate hooks. Remove surface mount box top.



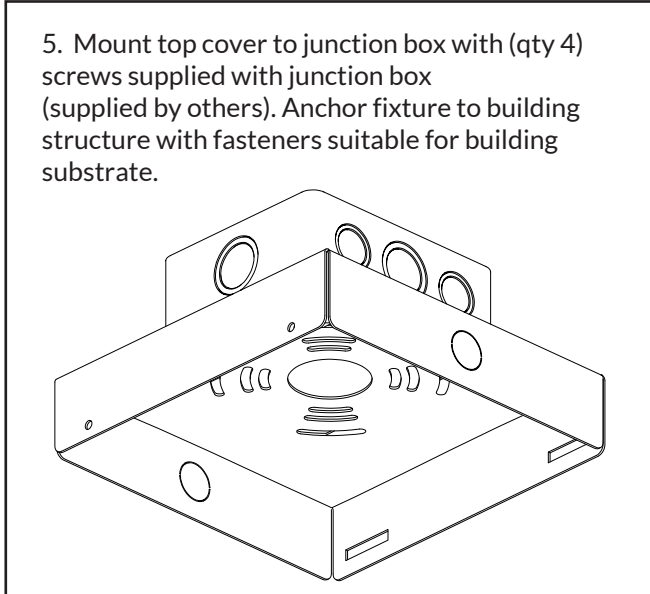
LPG Parking Garage Luminaire

Models: LPG Surface Mount, LPG Pendant Mount

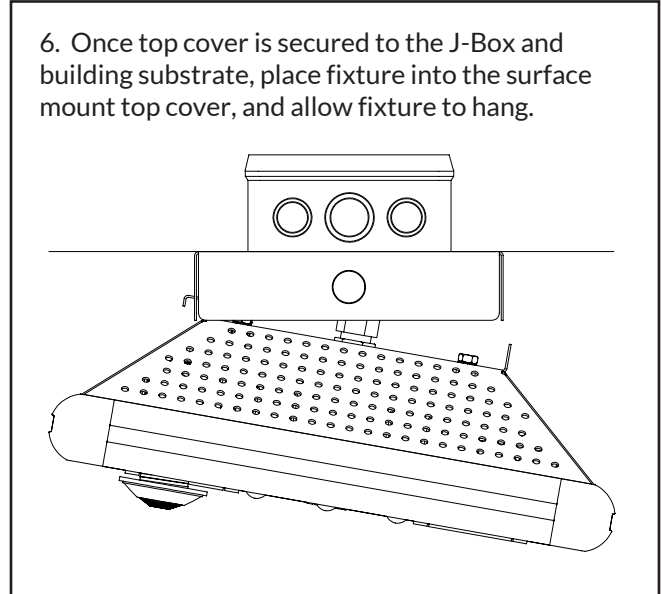


SURFACE MOUNT INSTALLATION (cont.):

5. Mount top cover to junction box with (qty 4) screws supplied with junction box (supplied by others). Anchor fixture to building structure with fasteners suitable for building substrate.

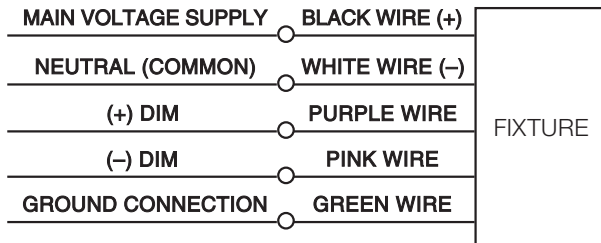


6. Once top cover is secured to the J-Box and building substrate, place fixture into the surface mount top cover, and allow fixture to hang.



7. Make supply and ground connections according to wiring diagram using wire nuts (supplied by others). Tuck wire nut connections into junction box.

WIRING DIAGRAM



8. Lift up fixture, and reinstall the (2) M6x12mm T30 Torx fasteners. Ensure that fasteners are secure. Installation complete.

