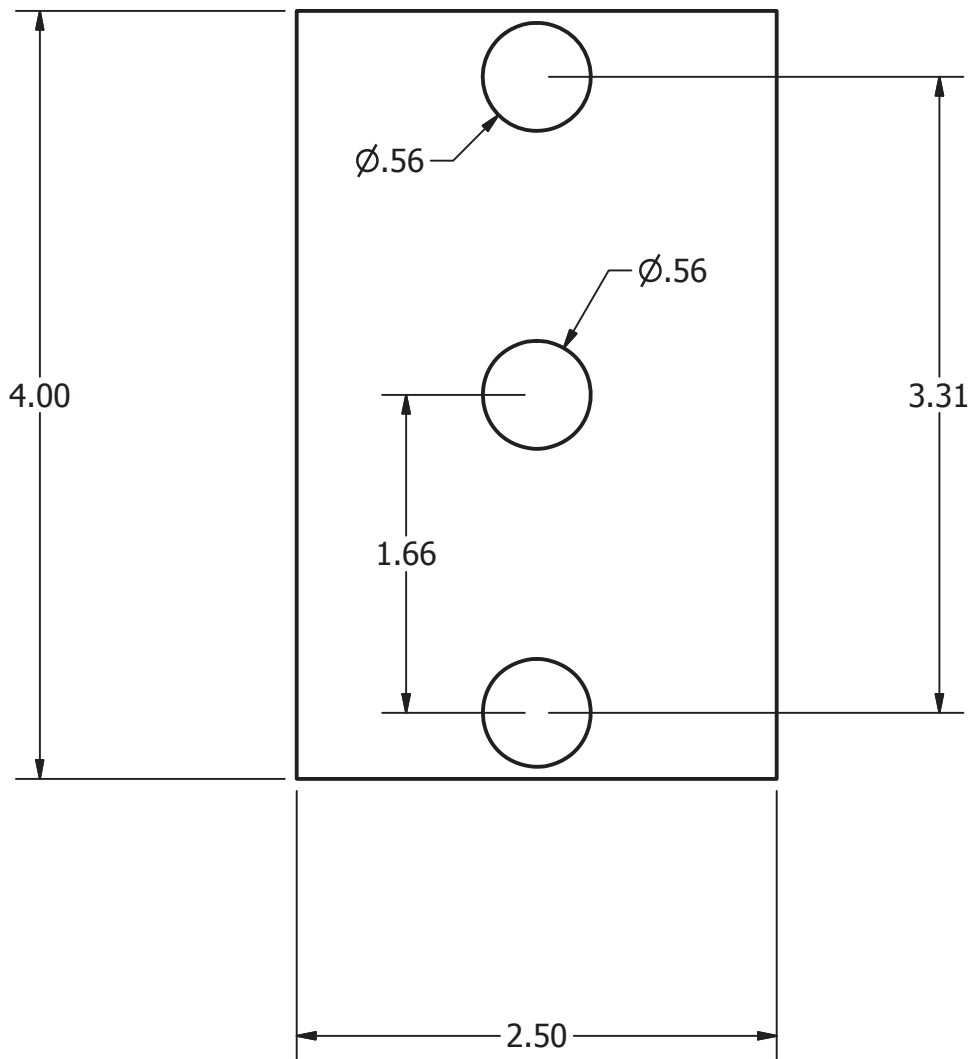


# TECHLIGHT

## Drill Template



CTL  
NOT TO SCALE