



Catalog Number	
Project	Type

FEATURES & SPECIFICATIONS

APPLICATION — The LWW Series Linear LED Wall Wash is designed for illuminating architectural surfaces and commercial signage. Areas with limited accessibility due to fixture location or where heavy pedestrian or vehicle traffic makes maintenance difficult are ideal applications. The low-profile design keeps the fixture placement discrete for both ground and wall mounted applications.

FEATURES — The heavy-duty housing is constructed of extruded aluminum with die cast aluminum connectors. A linear diffuser provides even light coverage and precise beam angles. The LED strips and optics are protected by a low iron tempered glass (3mm) lens. Complete unit is provided with IP67 remote mounted driver in NEMA 3R enclosures. Remote drivers are provided with two 3/4" and one 1/2" knockout on the underside of the enclosure. Unit may be mounted for up light or down light applications.

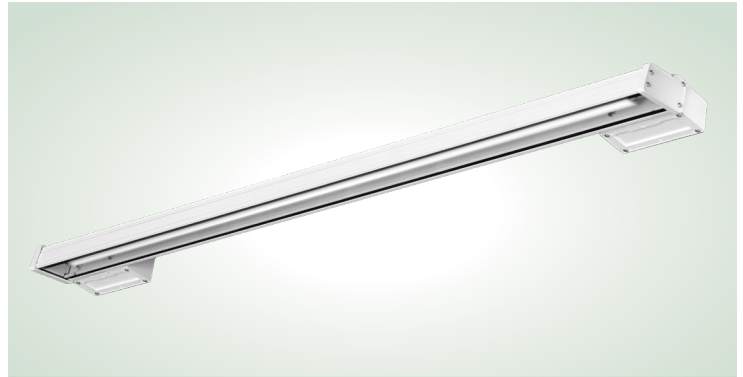
FINISH — A Super Durable Polyester powder coat finish is electrostatically applied in our state-of-the-art paint facility. Standard colors available: Black, Bronze, US Green, White. Custom colors available upon request.

MOUNTING — Fixture is provided with 1/2 -14 NPS Thread aluminum stem or arm at each mounting point and powder coat finished to match. May be mounted for use as an up light or down light.

ELECTRICAL SYSTEM — Long life LED's and high efficiency drivers work together to provide superior performance in a safe and efficient package. L95 at 10K hours L70 ≥ 50K hours. LED's available in 3000K, 4000K and 5000K with a CRI >80. Electronic drivers provided in remote NEMA 3R raintight enclosure. 120-277V drivers. 10kV surge protection provided. Power factor >0.9, 0-10V dimming available, order DLP.

LWW SERIES

Linear LED Wall Wash



SERIES	LENGTH HEIGHT & WIDTH
LWW	3.2" x 2.5" x 47.5" (4' Linear Section)

LISTINGS — ETL listed for wet locations. Classified according to the new 1598C safety standard. Complies with UL8750. Meets US and Canadian safety standards. RoHS compliant.

WARRANTY — The complete luminaire is covered by a 5-year limited warranty.

ORDERING INFORMATION

Choose the bold face options for the appropriate luminaire configuration for your application and enter on the line above each fixture attribute. Accessories may be factory installed, depending on the particular accessory chosen, but still be ordered as a separate line item.

EXAMPLE:

LWW 10 40 1L LWG 1 WH 18

LWW	SERIES	LENGTH ¹	COLOR TEMP/CCT	NOMINAL LUMENS LM/FT	OPTICS	VOLTAGE	FINISH	MOUNTING <small>1/2 -14 NPS THREADS</small>	OPTIONS
		01 = 1' 02 = 2' 04 = 4' For Custom Length in 1' increments Example: 08 = 8' (4' + 4') 10 = 10' (4' + 2' + 4')	30 = Warm White (3000K) 40 = Neutral White (4000K) 50 = Cool White (5000K)	1L = 1,000 Lumens 25L = 2,500 Lumens	LWG = Linear Wall Grazer	1 = Multi-Volt ²	BZ = Bronze BK = Black AA = Anodized Aluminum WH = White SP = Special ³	STEM MOUNT 0 = No Stems 6 = 6" Stems 12 = 12" Stems 18 = 18" Stems 24 = 24" Stems GRADE MOUNT GM = Adjustable Arm (See Images Below)	SBF120 = Requires 1x Slow-Blow Fusing SBF208 = Requires 2x Slow-Blow Fusing SBF240 = Requires 2x Slow-Blow Fusing SBF277 = Requires 1x Slow-Blow Fusing DLP = Dimming Leads Pulled

Accessories: (Order as separate line items)

Wall Mount⁵ - PN#: 102527XX

For Stem Mount Only
(XX - Paint Finish)



Mounting: (Selected in ordering string)

Stem Mount⁶ - Length selected in order chart.
(Continuous Runs and pack separately for shipping)



Threaded Wall Mount⁷ - PN#: 102795XX

For GM Adjustable Arm Mount Only
(XX - Paint Finish)



Grade Mount - (GM) Adjustable Arm Mount
(Factory installed. Requires 2 per fixture)



NOTES

- ¹ = Virtually any continuous lengths can be provided. Custom length in 1' increments. Power supply inlet required at every 8' increment for 25L and 16' increment for 1L version. Contact your sales representative for additional info.
- ² = Multi-Volt is an auto ranging power supply from 100V to 300V input .
- ³ = Custom RAL color matching is available. Contact your sales representative for additional info.
- ⁴ = Specify stem length, correct quantity of stems provided for length of run specified.
- ⁵ = Wall Mount (PN# 102527XX) to be used for Stem Mount Only, XX = Paint Finish.
- ⁶ = Stem Mount (PN# PTPM(6,12,18 or 24)XX) if ordering separately, must denote stem length as indicated by numerals & paint finish, XX = Paint Finish.
- ⁷ = Threaded Wall Mount (PN# 102795XX) to be used for GM Adjustable Arm Mount Only, XX = Paint Finish.

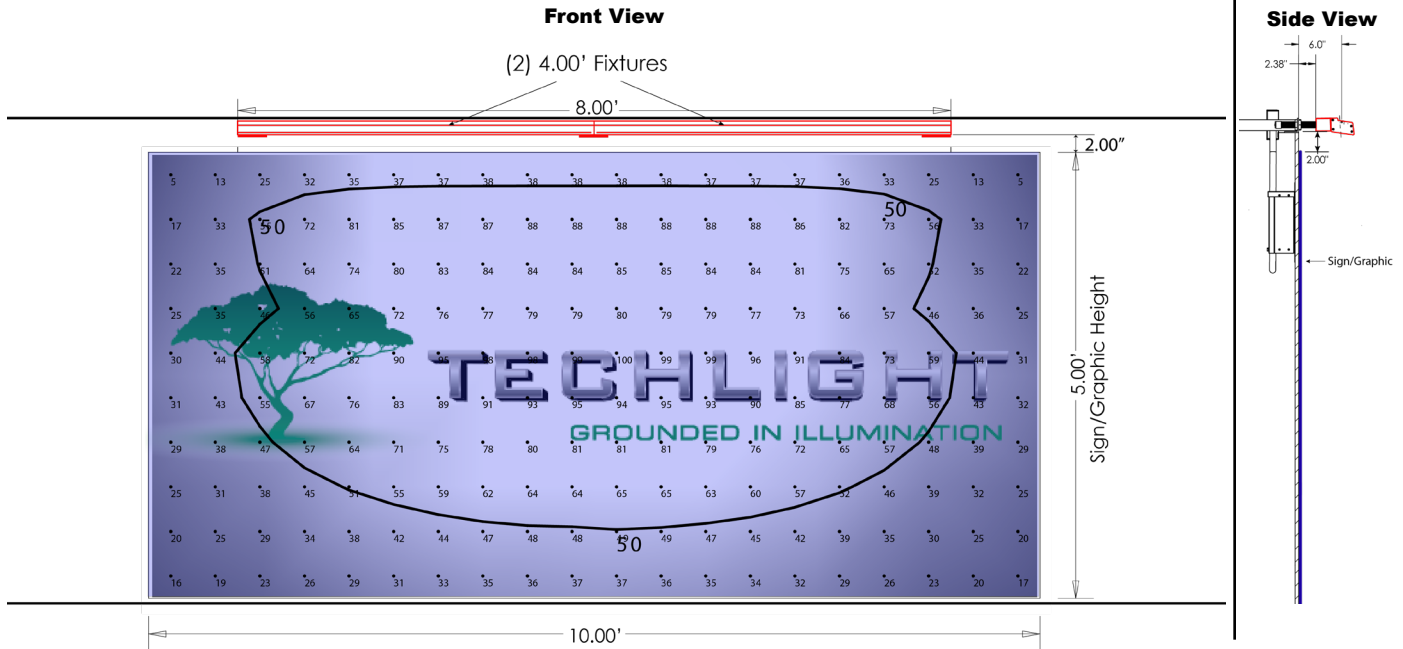


FIXTURE/REMOTE DRIVER CONFIGURATIONS

FIXTURE RUN LENGTH AND COMPOSITION	NOMINAL LUMEN / ft	WATTAGE	NUMBER OF DRIVERS	DRIVER INPUT LOCATIONS	AMPERAGE DRAW			
					120V	208V	240V	277V
1' FIXTURE	1L - 1,000 LUMENS / ft	7W	1	REMOVED	0.06A	0.04A	0.03A	0.03A
	25L - 2,500 LUMENS / ft	13W	1		0.11A	0.06A	0.05A	0.04A
2' FIXTURE	1L - 1,000 LUMENS / ft	15W	1	REMOVED	0.13A	0.07A	0.07A	0.05A
	25L - 2,500 LUMENS / ft	26W	1		0.22A	0.13A	0.11A	0.09A
4' FIXTURE	1L - 1,000 LUMENS / ft	29W	1	REMOVED	0.25A	0.14A	0.13A	0.11A
	25L - 2,500 LUMENS / ft	53W	1		0.44A	0.26A	0.22A	0.18A
8' RUN TWO 4' UNITS	1L - 1,000 LUMENS / ft	58W	1	AT BEGINNING OF RUN	0.49A	0.28A	0.25A	0.21A
	25L - 2,500 LUMENS / ft	106W	1		0.88A	0.52A	0.44A	0.36A
10' RUN TWO 4' UNITS ONE 2' UNIT	1L - 1,000 LUMENS / ft	73W	1	AT BEGINNING OF RUN	0.61A	0.35A	0.31A	0.27A
	25L - 2,500 LUMENS / ft	132W	1		1.10A	0.63A	0.55A	0.48A

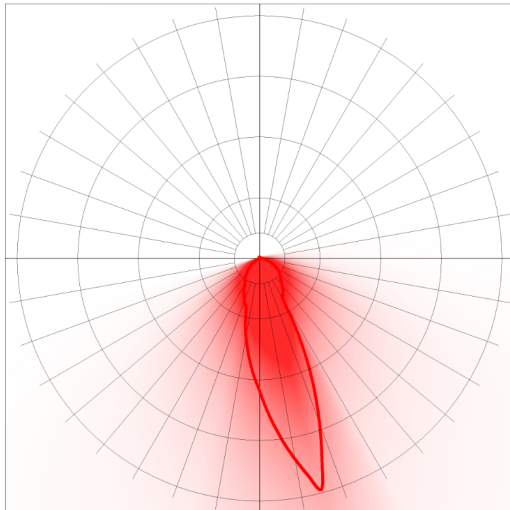
ILLUMINANCE PLANE'S CALCULATED MEASUREMENT POINTS (foot-candles)

Model number: LWW-08-40-1L-LWG-1-WH



PHOTOMETRIC CHARACTERISTICS

NOTE: Values shown are for a 4' linear section with a 1L nominal lumen output (1,000 lumens per linear foot).



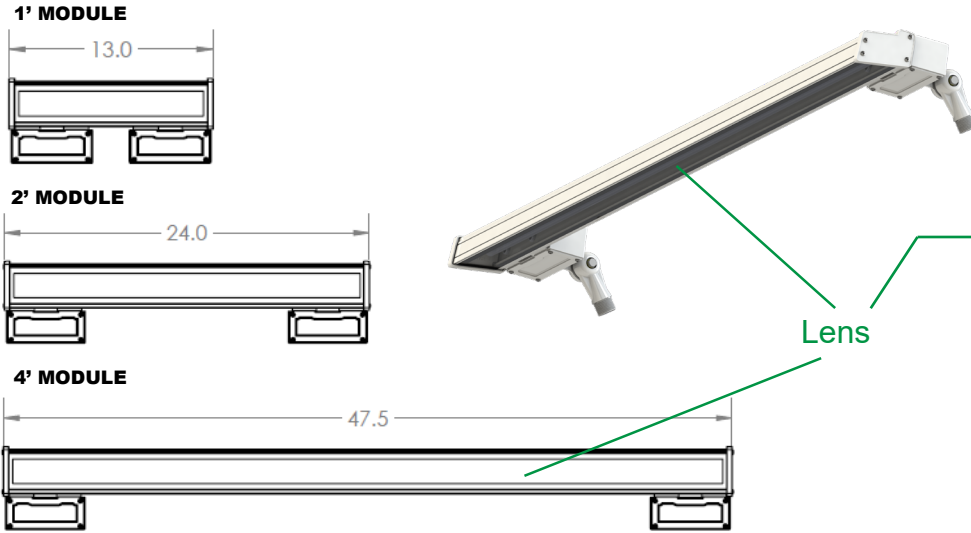
CHARACTERISTICS

- CIE Type: Direct
- High Lumen Output
- Color Temperature: 5,000 K CRI: 80
- Luminaire Lumens: 4092 (per 4' section)
- Total Luminaire Watts: 29 (per 4' section)
- Ballast Factor: 1.00

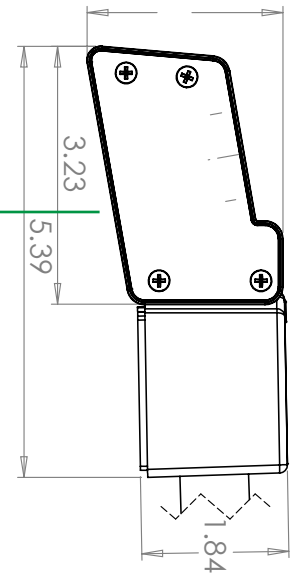


TECHLIGHT
INNOVATION IN ILLUMINATION

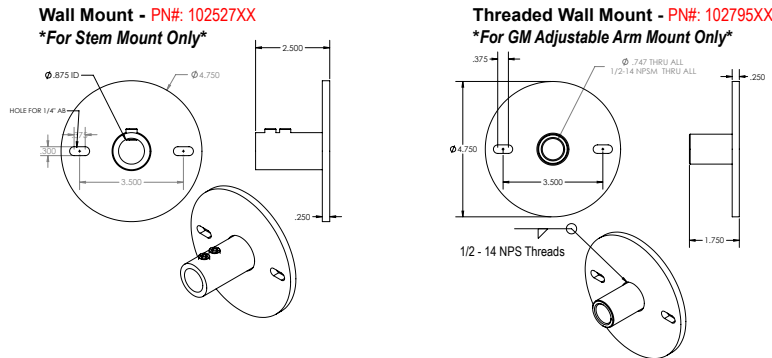
FIXTURE DIMENSIONS - INDIVIDUAL FIXTURE



SIDE VIEW

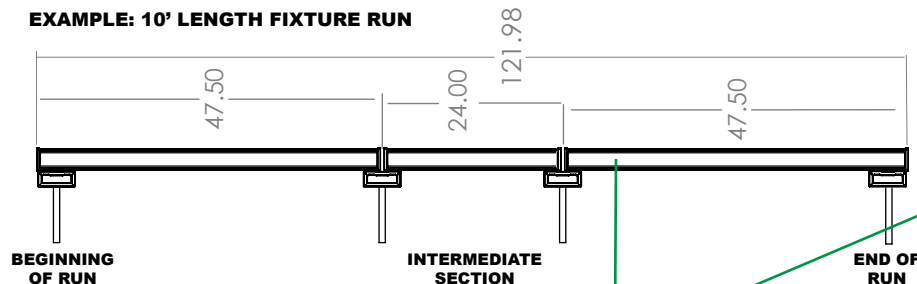
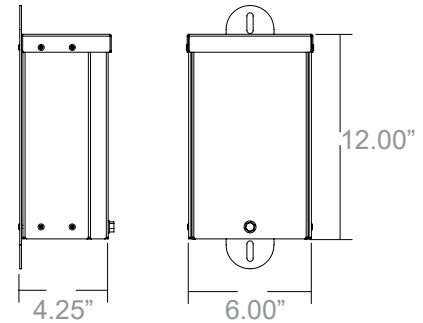
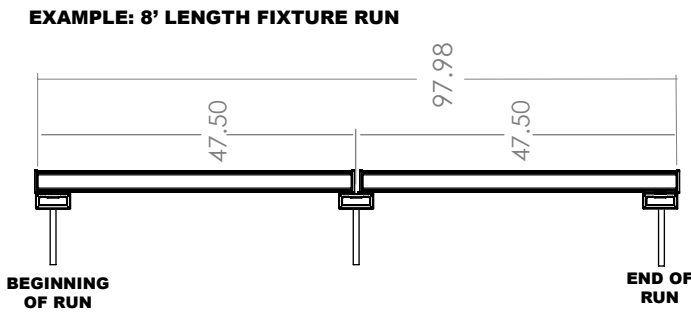


WALL MOUNT DIMENSIONS



FIXTURE DIMENSIONS - CONTINUOUS RUN

REMOTE DRIVER HOUSING DIMENSIONS

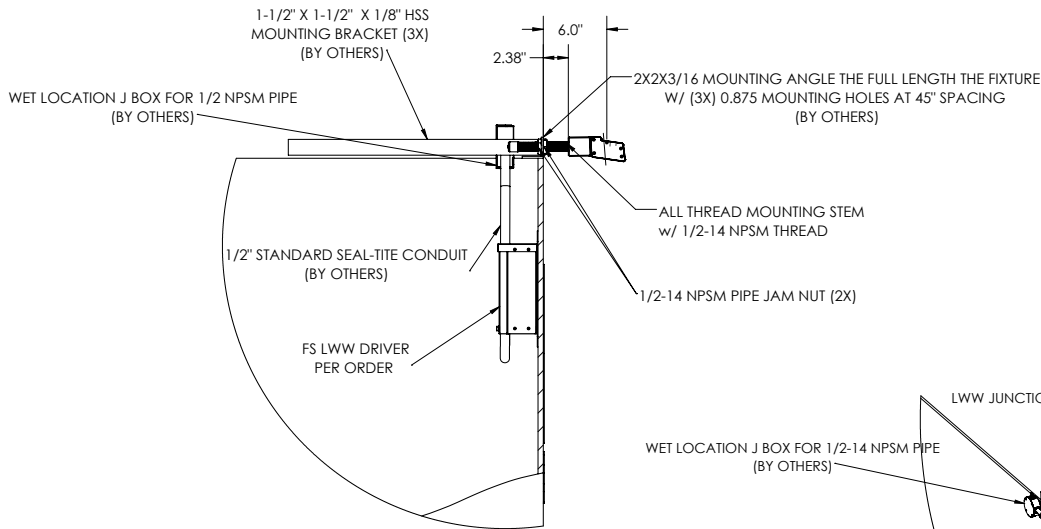
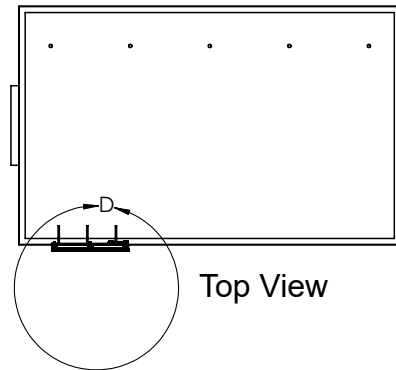
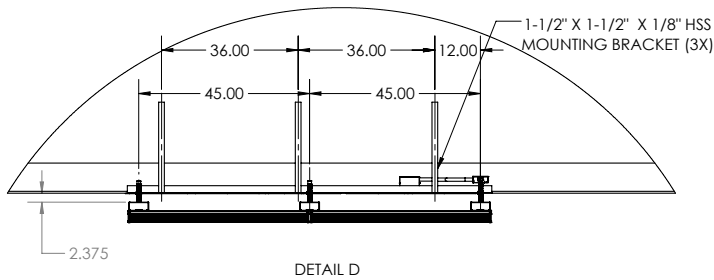
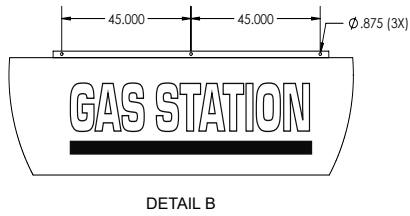
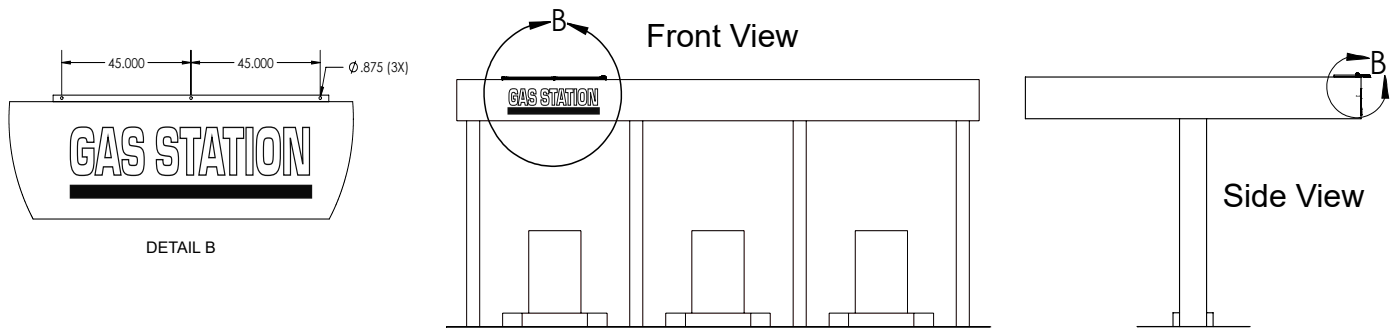


NOTE: REMOTE DRIVER INPUT WILL ALWAYS ENTER THE FIXTURE VIA THE BOR (BEGINNING OF RUN FIXTURE)



TECHLIGHT
INNOVATION IN ILLUMINATION

SIMULATED MOUNTING DESIGN



LWW SERIES MOUNTING GAS STATION CANOPY APRON

