



Catalog Number	
Project	Type

FEATURES & SPECIFICATIONS

APPLICATION — The high-performance luminaire is designed for canopy/soffit applications where long life, low maintenance, and consistent color rendering is required. Areas with limited accessibility due to fixture location or where heavy traffic makes maintenance difficult are ideal applications. Such as retail canopies, parking garages, refrigerated freezer lighting applications, and petroleum dispensing canopy applications requiring Class 1 Div. 2 Hazardous Location rating.

CONSTRUCTION — The heavy duty housing is constructed of cast aluminum with heat dissipating fins. The optical assemblies are sealed in place using a silicone gasket for weather tight protection. Fully sealed optical compartment isolates LED PCB from driver compartment. Anti-siphon power leads prevent water entry thru conductors. Wireway is epoxy potted to seal driver compartment. Modular LED system for ease of maintenance. ETL listed for wet locations (IP65). Additional IP66 rating available upon request. Each fixture comes standard with preps to accommodate advanced wireless control, management and reporting systems for outdoor lighting.

FINISH — A super durable powder coat finish. Standard colors available: Black, Bronze, Silver, White. Custom colors available upon request.

OPTICAL SYSTEM — The fixture is available with either a clear patterned, flat tempered glass lens providing a uniform and symmetrical light pattern or a molded borosilicate glass drop lens to provide a softer, wider light pattern.

ELECTRICAL SYSTEM — Available in 4000K-80 CRI Neutral White, 4000K-90CRI Neutral White or 5000K-80 CRI Cool White color temperatures. Available with 100-300V 50/60 Hz IP66 power supply. LED's rated for over 50,000 hours at 25°C ambient temperature. 347V-480V input option available. 0-10V dimming. Built-in surge protection up to 10 kA. Built-in Active PFC Function >95%/Full load. LED Power Supply conforms to UL8750 standards and is IP67 rated.

ORDERING INFORMATION

Choose the bold options for the appropriate luminaire configuration for your application and enter on the line above each fixture attribute. Accessories may be factory installed, depending on the particular accessory chosen, but still be ordered as a separate line item.

EXAMPLE:

CSL S N90 DL 82 1 WH

CSL							
SERIES	MOUNT	COLOR TEMP	OPTICS	WATTAGE ¹⁴	VOLTAGE	FINISH	OPTIONS
	S = Surface Mount P = Pendant Mount ¹	N = Neutral White (4000K) 80 CRI N90 = Neutral White (4000K) 90 CRI C = Cool White (5000K) 80 CRI	FL = Flat Lens DL = Drop Lens	*26 = 26W ² *48 = 48W *60 = 60W 82 = 82W ¹⁶ 96 = 96W 115 = 115W *DLC not available for models in 26W, 48W, 60W	1 = Multi-Volt 2 = 347-480V ²	BZ = Bronze BK = Black SLV = Silver WH = White SP = Special ³	BTEC⁴ = Blue Tooth Enabled RK⁵ = Refrigeration Kit WOCPLT⁶ = Occupancy Sensor with Low Ambient Photocontrol and Time Off WOCPTH⁷ = Occupancy Sensor with High Ambient Photocontrol and Time Off WOCT⁸ = Occupancy Sensor with Time Off Operation HAZ⁹ = Class 1, Div. 2 Hazardous Location Certified, Petroleum Canopy Mount NSF¹⁰ = Conforms to NSF Std 2 SC10¹¹ = Side Conduit Entry with Power Cord HOEB¹² = LED Battery Pack, 90 min, 6500 lumens DLP = Dimming Leads Pulled



DesignLights Consortium® Qualified. Please go to www.designlights.org for the current Qualified Products List. Further details about qualified models may be found under Family Models.

NOTES

- Pendants and pendant mount accessories sold separately. See Accessories for available options.
- 347-480V input not available for 26W model.
- Custom RAL color matching is available. Contact your sales representative for additional info.
- Bluetooth enabled control via the Casambi App on IOS or Android phone.
- Refrigeration Kit provides a non-conductive composite stem for mounting in an artificially refrigerated environment.
- Occupancy Sensor with Low Ambient Photocontrol and Time Off Operation will allow fixture to remain off when light levels exceed 12 FC (130 Lux) regardless of motion detected. WOC option provided with lens designed for 20' mounting height.
- Occupancy Sensor with High Ambient Photocontrol and Time Off Operation will allow fixture to remain off when light levels exceed 55 FC (600 Lux) regardless of motion detected. WOC option provided with lens designed for 20' mounting height.
- Occupancy Sensor with Time Off Operation will allow fixture to switch to full output when motion is detected regardless of existing light levels. The sensor will switch the fixture off when no motion has been detected after 5 minutes. WOC option provided with lens designed for 20' mounting height.

- Hazardous Location Certification not available with the RK, NSF or any of the Occupancy Sensor options. HAZ not available with P-Pendant mount version. For international Zone System the classification is Class I Zone 2.
- Not available with HAZ or OCC sensor options
- Surface mount only. Not for through-wiring. Provided with a 3/4"-14 NPS threaded entry and 10' of 16/3 600V STW power cord (3/4" conduit or Seal-Tite fitting provided by others).
- HOEB option is not available with HAZ, WOCPLT, WOCPTH, or WOCT options.
- Multi-Volt is an auto ranging power supply from 100V to 300V input.
- Custom outputs available. Consult factory.
- Kit is for conversion from a S mount to a P mount. Not for use with S-Surface mounts which include RK, or HAZ options.
- DLC for 82W is not available in Cool White nor Neutral White.**

ACCESSORIES (Order as separate line items)

- THBSCxx** Safety Chain Kit (for pendant mounting, "xx" must specify length)
- 100265xx** Stem 3/4-14 NPS Steel (replace "xx" with 6", 12", 18", 24", 30", or 36")
- 132234WHPKG** 24" X 24" Beauty Plate
- 105615KITKWH¹⁵** Kit w/Pendant Mount & J-Box WH finish



LED Petroleum Canopy / Soffit Light



SERIES	HOUSING HEIGHT	LENGTH & WIDTH
CSL	2.75"	16.39" x 16.39"

MOUNTING — The fixture can be thru hole flush surface mounted (2-1/4" diameter deck penetration required) using the pre-set mounting holes and hardware provided with each fixture or it may be mounted via pendant. Surface Mount is suitable for use on single or dual skin canopies with minimum 22ga, 0.030" thickness. Surface mount fixture provided with gasket rear mounting surfaces and stainless steel hardware for attachment to canopy. Self-sealing screws are provided but RTV application on top canopy deck is recommended. Side conduit entry (SCE10) option is provided with a 3/4"-14 NPS threaded entry and 10' of 16/3 600V STW power cord (3/4" conduit or Seal-Tite fitting provided by others). Side conduit entry is not for through-wiring. Consult factory for 5-wire power cord if 0-10V dimming is being utilized. Pendant Mount provided with factory installed bracket and hanger type J-Box and Hub for 3/4" pipe stems. Safety chain kit available. Pendant Mount configuration is provided with box plate and hub (Pendants sold separately).

LISTINGS — ETL listed for wet locations. Meets US and Canadian safety standards. -40°C to 50°C ambient operation. RoHS Compliant. Class 1 Div 2 Hazardous Location Rating up to 50°C ambient operation. Rated for Groups A, B, C & D. Temperature Class T4A. ETL Intertek Sanitation listed conforms to NSF Std 2 for Nonfood Zone when ordered with NSF option. IP66 certified by ETL Intertek Testing for both surface and pendant mount. NOM Certified. DLC listed, see note (16) for more details.

LUMINAIRE CHARACTERISTICS

NEUTRAL WHITE - 4000K - 80 CRI

Wattage	Color Temp	Lumens		L70 @ 25°C	Amperage Draw					
		FLAT LENS	DROP LENS		120V	208V	240V	277V	347V	480V
26W	Neutral White (4000K)	4,680	4,494	>50K	0.22 A	0.13 A	0.11 A	0.10 A	0.08 A	0.06 A
48W	Neutral White (4000K)	8,259	7,931	>50K	0.40 A	0.24 A	0.20 A	0.18 A	0.14 A	0.10 A
60W	Neutral White (4000K)	10,215	9,809	>50K	0.49 A	0.28 A	0.25 A	0.21 A	0.17 A	0.12 A
82W	Neutral White (4000K)	13,676	13,134	>50K	0.69 A	0.4 A	0.35 A	0.3 A	0.24 A	0.18 A
96W	Neutral White (4000K)	15,568	14,950	>50K	0.80 A	0.47 A	0.40 A	0.35 A	0.28 A	0.20 A
115W	Neutral White (4000K)	18,176	17,455	>50K	0.94 A	0.54 A	0.47 A	0.41 A	0.33 A	0.24 A



NEUTRAL WHITE - 4000K - 90 CRI

Wattage	Color Temp	Lumens		L70 @ 25°C	Amperage Draw					
		FLAT LENS	DROP LENS		120V	208V	240V	277V	347V	480V
26W	Neutral White (4000K, 90 CRI)	3,863	3,709	>50K	0.22 A	0.13 A	0.11 A	0.10 A	0.08 A	0.06 A
48W	Neutral White (4000K, 90 CRI)	6,816	6,546	>50K	0.40 A	0.24 A	0.20 A	0.18 A	0.14 A	0.10 A
60W	Neutral White (4000K, 90 CRI)	8,430	8,095	>50K	0.49 A	0.28 A	0.25 A	0.21 A	0.17 A	0.12 A
82W	Neutral White (4000K, 90 CRI)	11,287	10,839	>50K	0.69 A	0.4 A	0.35 A	0.3 A	0.24 A	0.18 A
96W	Neutral White (4000K, 90 CRI)	12,848	12,338	>50K	0.80 A	0.47 A	0.40 A	0.35 A	0.28 A	0.20 A
115W	Neutral White (4000K, 90 CRI)	15,001	14,405	>50K	0.94 A	0.54 A	0.47 A	0.41 A	0.33 A	0.24 A



COOL WHITE - 5000K - 80 CRI

Wattage	Color Temp	Lumens		L70 @ 25°C	Amperage Draw					
		FLAT LENS	DROP LENS		120V	208V	240V	277V	347V	480V
26W	Cool White (5000K)	4,717	4,530	>50K	0.22 A	0.13 A	0.11 A	0.10 A	0.08 A	0.06 A
48W	Cool White (5000K)	8,324	7,994	>50K	0.40 A	0.24 A	0.20 A	0.18 A	0.14 A	0.10 A
60W	Cool White (5000K)	10,295	9,886	>50K	0.49 A	0.28 A	0.25 A	0.21 A	0.17 A	0.12 A
82W	Cool White (5000K)	13,784	13,237	>50K	0.69 A	0.4 A	0.35 A	0.3 A	0.24 A	0.18 A
96W	Cool White (5000K)	15,690	15,067	>50K	0.80 A	0.47 A	0.40 A	0.35 A	0.28 A	0.20 A
115W	Cool White (5000K)	18,319	17,592	>50K	0.94 A	0.54 A	0.47 A	0.41 A	0.33 A	0.24 A

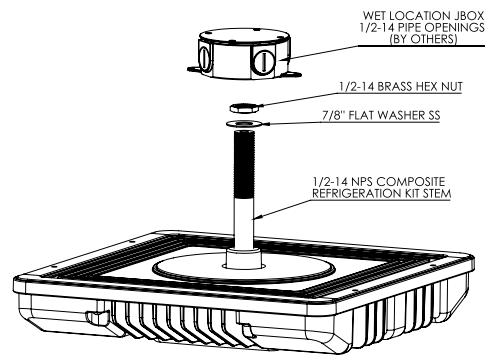
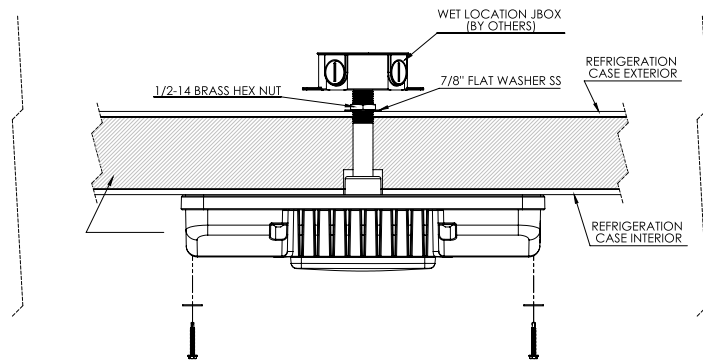
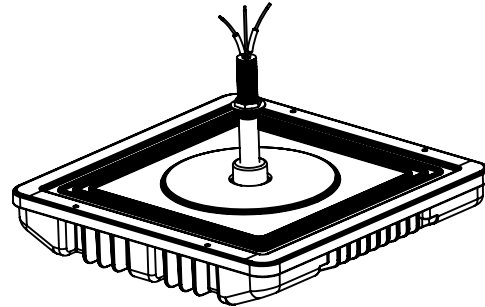
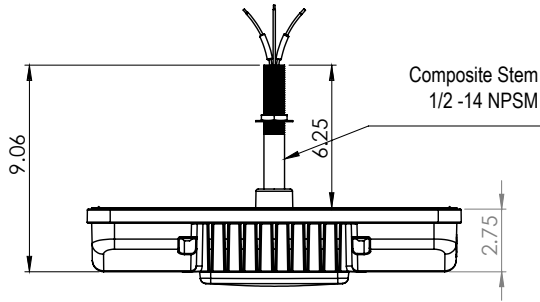


CSL LED Canopy / Soffit Light

AVAILABLE FIXTURE MOUNTS

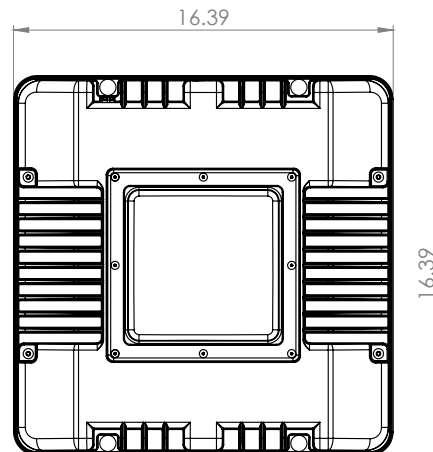
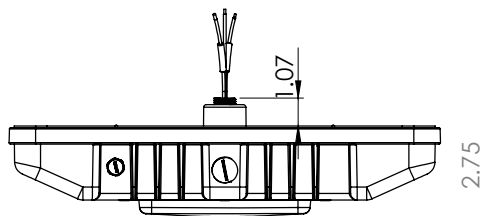
(CSL-S-RK) REFRIGERATION KIT MOUNT

(RK OPTION)



(CSL-S) SURFACE MOUNT

(STANDARD OPTION)



(STD-S Requires 2-1/8" Deep J-Box in Ceiling Surface)

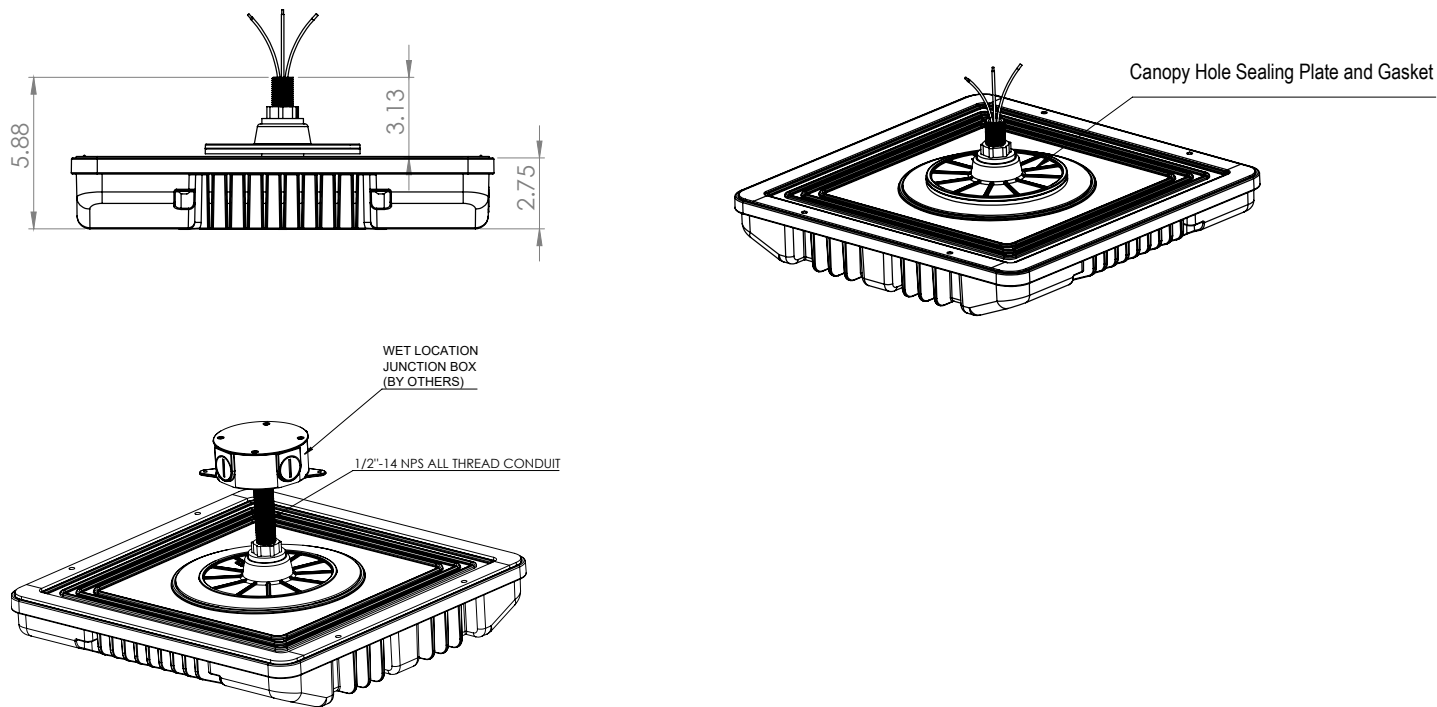
CSL LED Canopy / Soffit Light

AVAILABLE FIXTURE MOUNTS

Dimensions shown are for fixture bodies only.

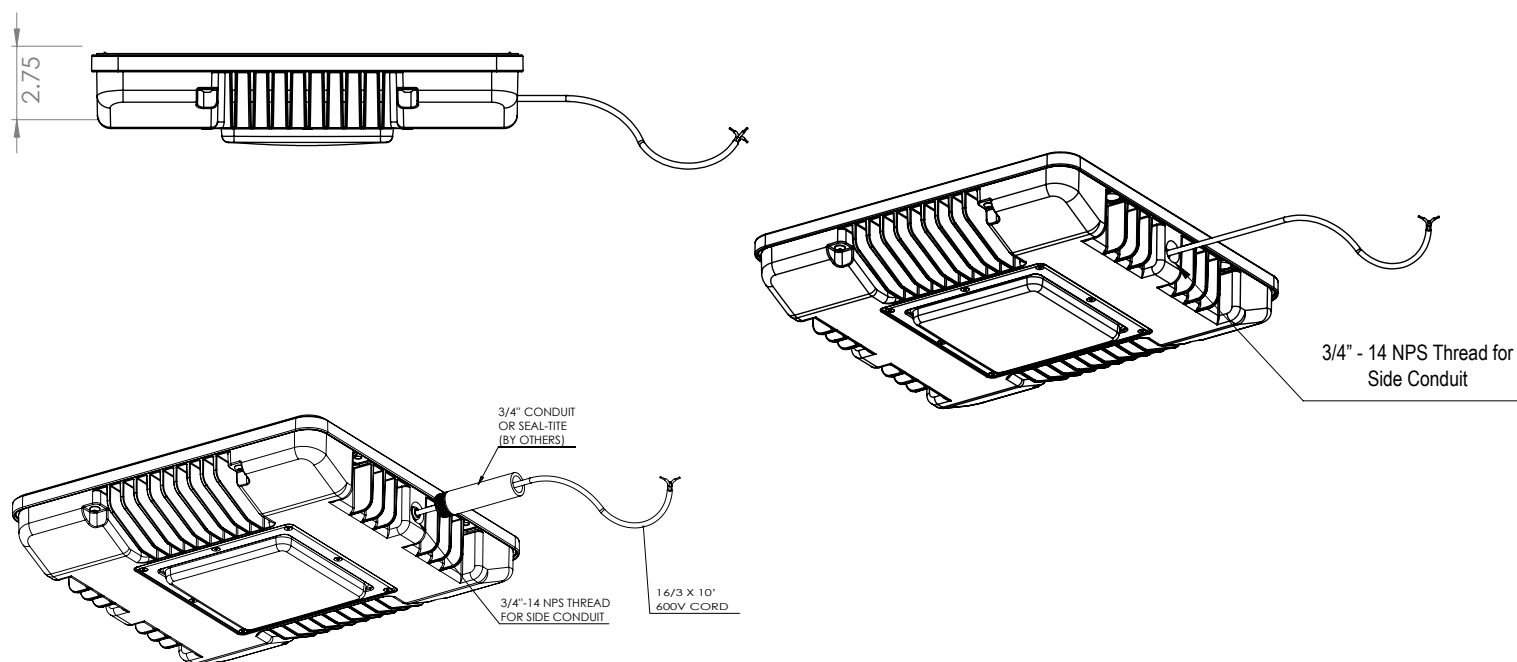
(CSL-S-HAZ) SURFACE MOUNT - PETROLEUM CANOPY HAZARDOUS LOCATION

(HAZ OPTION)



(CSL-S-SCE10) SURFACE MOUNT WITH SIDE CONDUIT ENTRY

(SCE10 OPTION)



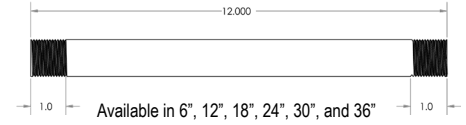
CSL LED Canopy / Soffit Light

AVAILABLE FIXTURE MOUNTS

Dimensions shown are for fixture bodies only.

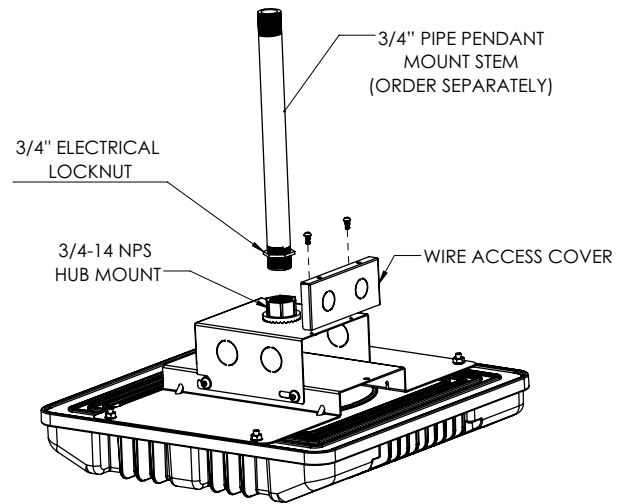
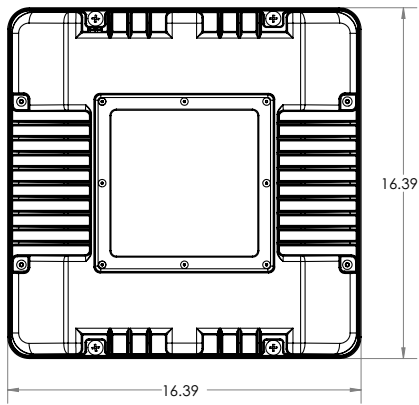
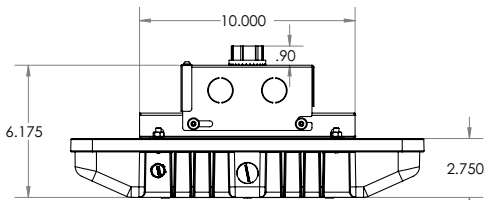
(CSL-P) PENDANT MOUNT

(P-MOUNT OPTION)



Available in 6", 12", 18", 24", 30", and 36"

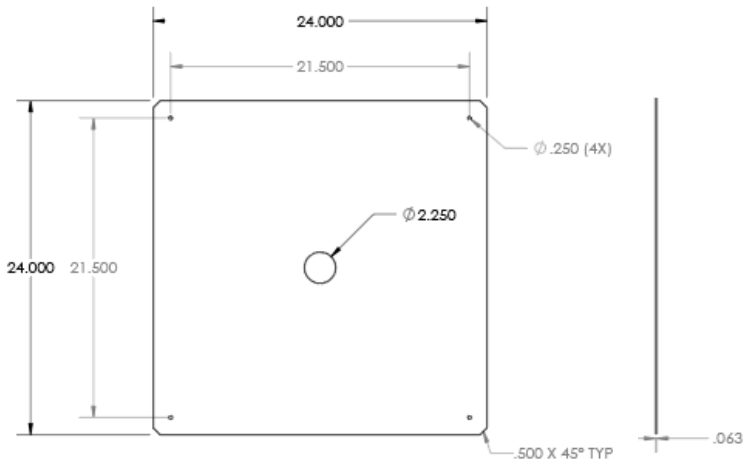
Pendant Mount provided with factory installed bracket and hanger type J-Box and Hub for 3/4" pipe stems.



ACCESSORY OPTIONS

Dimensions shown are for fixture bodies only.

132234WHPKG 24" X 24" Beauty Plate

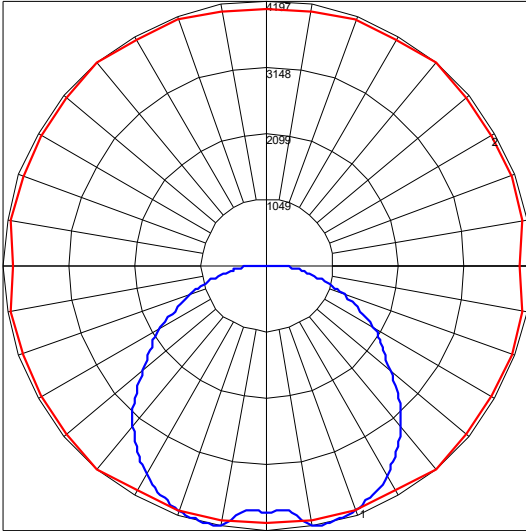


PHOTOMETRIC CHARACTERISTICS

CHARACTERISTICS

CIE Type: Direct
 High Lumen Output
 Color Temperature: 4,000 K CRI: 90
 Luminaire Lumens: 10683
 Total Luminaire Watts: 82
 Ballast Factor: 1.00

POLAR GRAPH

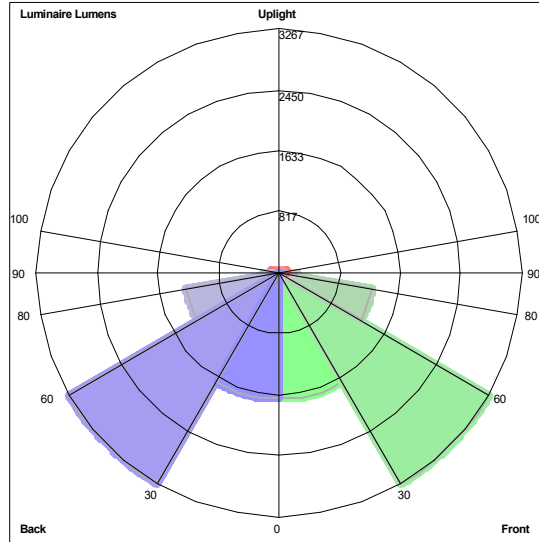


Maximum Candela = 4197.178 Located At Horizontal Angle = 50, Vertical Angle = 13
 # 1 - Vertical Plane Through Horizontal Angles (50 - 230) (Through Max. Cd.)
 # 2 - Horizontal Cone Through Vertical Angle (13) (Through Max. Cd.)

IES INDOOR REPORT PHOTOMETRIC FILE NAME: CSL S N90 DL 1 POLAR GRAPH

96W LED Canopy / Soffit
 Color Temperature: 4,000 K
 CRI: 90

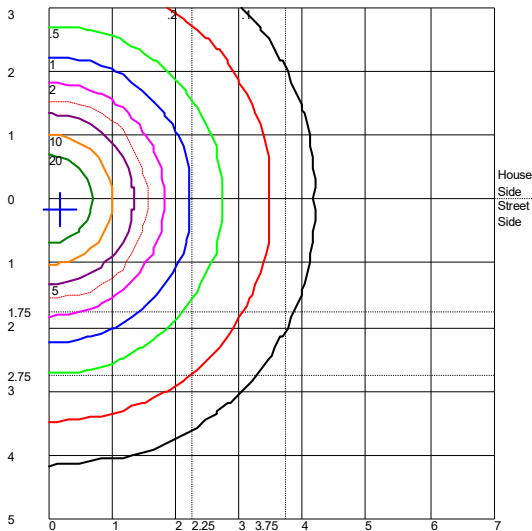
LUMINAIRE CLASSIFICATION SYSTEM (LCS) GRAPH



Luminaire Lumens:
 Front: Low=1694.1, Medium= 3267.0, High=1267.5, Very High=226.0
 Back: Low=1694.1, Medium= 3267.0, High=1267.5, Very High=226.0
 Uplight: Low=107.7, High=37.7

IES ROAD REPORT PHOTOMETRIC FILENAME : CSL-XN90DL96.IES

ISOFOOTCANDLE LINES OF HORIZONTAL ILLUMINANCE



Distance In Units Of Mounting Height
 Values Based On 10 Foot Mounting Height
 1/2 Maximum Candela Trace Shown As Dashed Curve
 (*) = Maximum Candela Point



TECHLIGHT
 INNOVATION IN ILLUMINATION

2707 SATSUMA DR. | DALLAS, TX 75229 | PH: 800.225.0727 | www.techlight.com